

Compact Grader

MARELEC M3/6

Accurate

High weighing and grading speed

Robust and compact construction

Several output possibilities

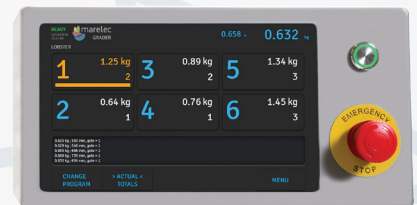


Compact means: infeed, weighing and outfeed in one simple and robust solution. All of this with the precision obtained by our classic graders.

With the MARELEC M3 compact grader, MARELEC sets the new standard for grading systems. The MARELEC solution leads the way in this field with batching option and various outfeed possibilities, from 4 to 6 stations, combined left and right.

MARELEC compact graders are especially designed for weighing and grading of smaller and more vulnerable products, such as fish, poultry and meat.

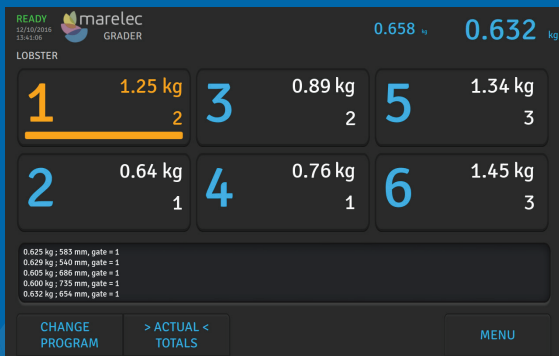
Customized grading: the grader can be adapted according to the application. Pulling arms assure gentle grading at various speeds



MARELEC Z3
Touchscreen indicator



MARELEC Z3 TOUCHSCREEN INDICATOR



The MARELEC Z3 is the latest new interface computer for MARELEC machines. It features a state of the art computer and a robust touchscreen interface.

FUNCTIONS

Maximum product dimensions : 450 x 250 mm,
Alternatively up to 600 x 450 mm

100 adaptable programs

Range: 20 gr - 1,5 kg

Alternatively: up to 5 kg

Precision : standard deviation

20 gr - 500 gr: 1,5 gr / 500 - 1500 gr: 3 gr

Max. speed : 120 pcs/min

Completely watertight

Grading to weight and number

Intelligent batching software

Batching to weight

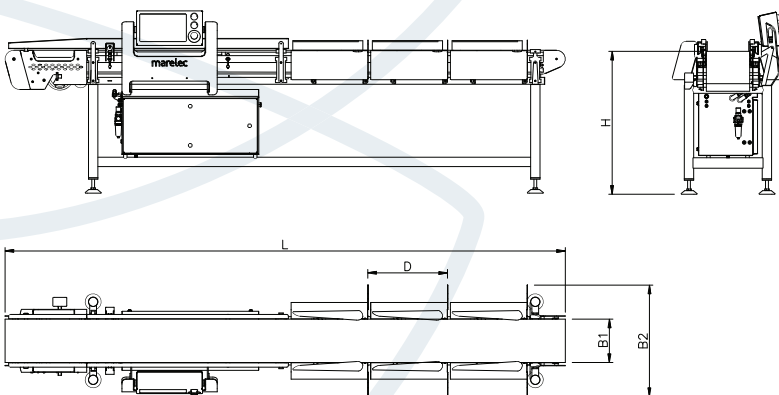
FEATURES

- Construction : Stainless steel AISI 304, H-design and FDA approved Food plastics
- Conveyor belt : Grid polyethylene
- Indicator : MARELEC Z3 with TCP/IP-connection
Stainless steel IP67 with integrated electronics
- Power supply : Single phase 230VAC 50Hz 300W
- Air supply : 200NI/min/6bar
- Protection : Protected against mechanical overload
Loadcells hermetically protected IP68
- User-friendly : Easy to operate and fast cleaning
- Languages : Various user languages available

OPTIONS

- MARELEC C grader: production management software
- MARELEC PR1 or PR2: label printers
- Stainless steel 316
- Infeed belt

EXECUTION AND DIMENSIONS



	M 3/4	M 3/6
Gates	4	6
Batching	no	no
H	825 mm	825 mm
L	2775 mm	3235 mm
D	460 mm	460 mm
B1	250 mm	250 mm
B2	643 mm	643 mm

MARELEC Food Technologies

Redanweg 15

8620 Nieuwpoort

Belgium

T +32 58 222 111

F +32 58 239 280

sales@marelec.com

* Specifications are subject to modifications

