

BAADER 601



BAADERING

The Gentle Method of Product Refinement



BAADER 600

BAADER 601

BAADER 604

BAADER 605

BAADER 607

BAADER 608

BAADERING

A squeezing belt feeds the product to a perforated drum and presses the soft components through the holes of the drum. The solid components remain outside the drum. The ratio between yield and

quality can be influenced by means of adjusting the pressure roller. BAADER guarantees the highest yield and superior quality.



Available Model Variants:



Top Feed Tray

Side Feed Conveyor Belt

Hopper

Feeding Unit/Sensor

Feeding Unit/Sensor/
Lifting and Tilting Device

A variety of raw products can be refined using this method.



Desinewing
from red meat



Desinewing
from poultry



Mince recovery
from fish



Puree and juice
recovery from fruits and
vegetables

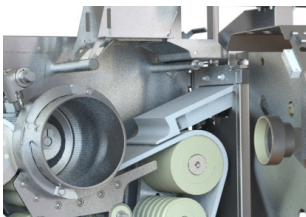


Depackaging
of products and
their content



The raw product and the hole diameter of the drum determine the quality of the finished product.

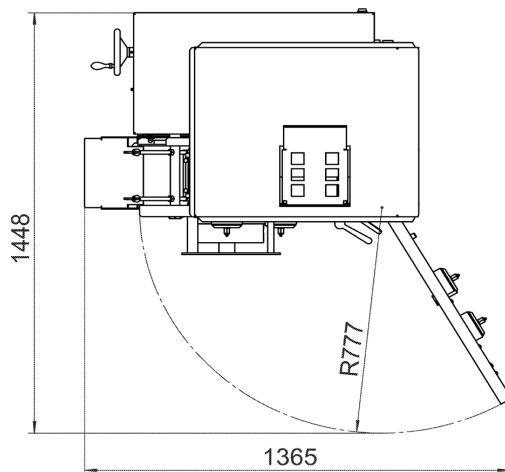
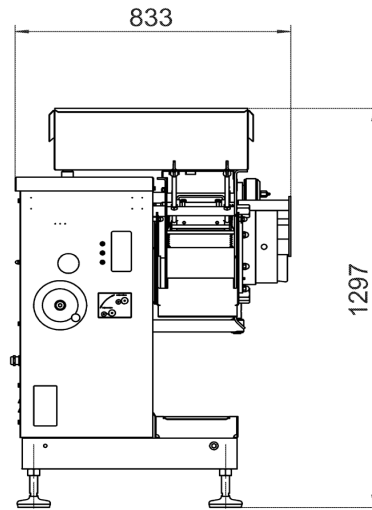
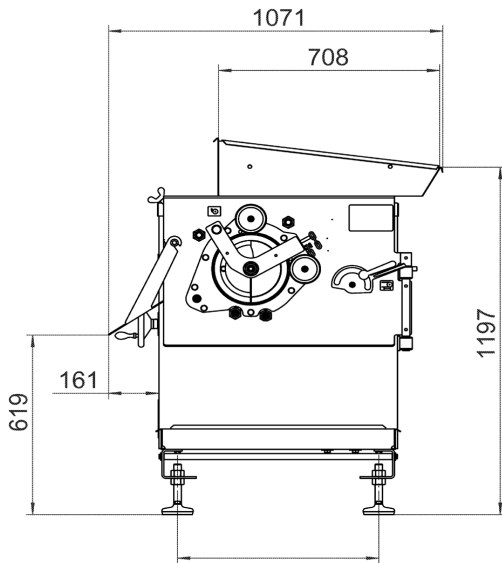
Main Options:



/ Tamping Device

Customer Benefits:

- / Spring supported reproduceable pressure system
- / Rollers for an easy, flexible moving as an option
- / Easy and time-saving cleaning
- / E-polished surface
- / Approved for USDA, employer's liability insurance association (BG) and CE certified



Technical Data

Operator:	1 person
Power:	3.0 kW
Dimensions:	(see sketch) in mm
Weight (net):	420 kg
Hole diameter (standard):	1.3 ; 2 ; 3 ; 5 mm

"This brochure is updated as of the publication date. It supersedes all previous editions. In case of different language versions, the English version is the only relevant master document. Indicated parameters and features, such as but not limited to working ranges and performance, are non-binding and may in practice vary depending on the individual usage as well as quality and condition of the product processed. Optimal results require individual adjustment of the equipment to the product processed. Illustrations and dimensions are approximate and non-binding, design changes are reserved. The actual scope of supply is only specified in the contractual documents supplied to the customer and may differ from the descriptions and photos in this brochure.

Attention! For illustration purposes, safety devices and protective mechanisms might partly not be shown in operative condition in this brochure. When operating the equipment, all safety and protective devices and instructions must be applied and observed as described in the equipment documentation."